

## *Customization Oriented High Performance High Reliability*

Typical applications:

- Data center
- Point-of-sale
- Network device
- Commercial facility
- Precision instrument



## **KR11 series UPS 1kVA~10kVA**

KR11 series UPS is online high frequency UPS, which is ideal for file server, enterprise server, central server, microcomputer, concentrator, telecommunication system, data center, medical facilities and those require high quality power protection, supplying reliable power guarantee for your loads. Customization products are available for special requirement.

## Features and Advantages



1kVA~3kVA standard model

### High performance and reliability

- Online double conversion
- PFC rectifier technology
- SPWM inverter control technology
- High input power factor: 0.99
- Output power factor: 0.7/0.8/0.9/1.0 selectable
- Wide input voltage range:  $\pm 25\%$
- Input frequency range:  $\pm 10\%$  settable
- Full protection function & Automatic bypass
- Intelligent communication port
- 6kVA & 10kVA have ECO&EPO function

### High performance battery charger for 6~10kVA

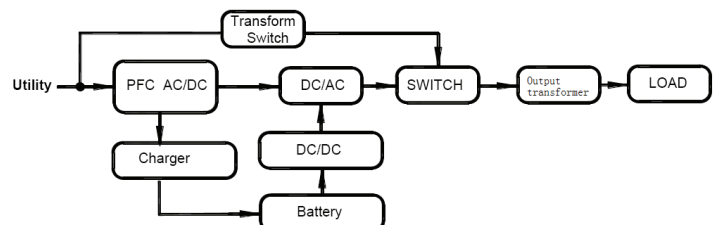
- 0.5A, 5.5A charging current optional
- Reduces battery recharging time
- Protects the battery against damage caused by deep charge and discharge
- Prevents harmonic pollution to the power grid



KR6000&KR1110S model

### Output isolation application

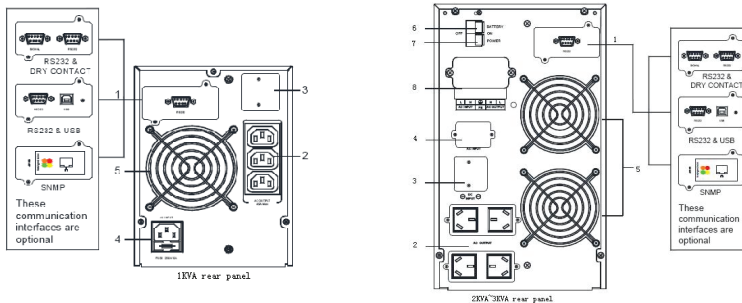
- Additional output transformer
- Output isolation
- Decreases load impact & Increases anti-short circuit capacity
- Selectable output voltage for 6kVA&10kVA



1kVA~10kVA with output transformer

## Programmable rear panel

We have various of rear panels for customers applied in different countries and different applications.



## 1KVA ~3KVA Rear panel description:

- Communication interface
- AC output sockets
- External battery connector (optional)
- Input socket
- Fan
- Battery breaker

## Advanced communications

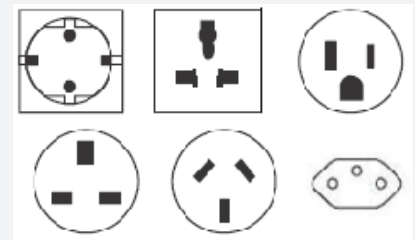
- Configurable communication interface module
- Flexible Network Management
- Point-to-point monitoring
- Alerts users of a power event or pre-specified condition
- Automatically shut down your servers
- Remotely supervise and control UPS solutions

## Parallel technology for 6kVA & 10kVA

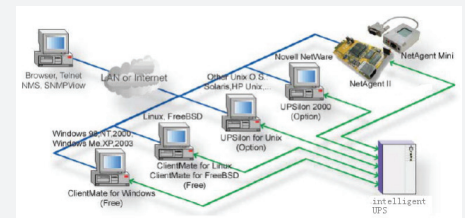
- Private patented technology
- No-master-slave, Self-adaptive parallel technology
- N+1 parallel redundancy available
- On-site installation and commissioning

## Added-value service

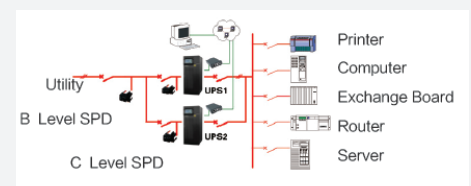
- UPS management software
- SNMP /USB/ Dry contact (DB9)
- External battery bank
- Built-in maintenance bypass switch (6KVA&10kVA)
- Redundant system by auto transfer switch (1-3kVA)
- Parallel kits available (6kVA&10kVA)
- Isolation transformer design



Available sockets



Battery cabinet and monitor system



Parallel System Application

## Technical Specifications

MODEL		KR1000/ KR1000L	KR2000/ KR2000L	KR3000/ KR3000L	KR6000/ KR6000L	KR1110S/ KR1110
I N P U T	Voltage (Vac)	120~295			120~276	
	Frequency (Hz)	50/60 ± 5% (50/60Hz ± 10% settings)				
	Power Factor	≥0.99				
O U T P U T	Capacity(VA)	1000	2000	3000	6000	10000
	Power Factor	0.9(0.7,0.8,1.0 optional)				
	Voltage (Vac)	220/230/240 ± 2%				
	Frequency(Hz)	50/60 ± 0.2%(battery mode)				
	Waveform	Pure sine wave THD < 3% (linear load )				
	Overload	105%~129% for 60 seconds, 130%~150% for 30 seconds, above 150% for 300ms			105%~129% for 10minutes, 130~150% for 1 minute, above150% for 1 second.	
	Transfer time	0				
B A T T E R Y	Voltage(Vdc)	36	72	96	192	
	BATT Type	3 × 7Ah12V / External	6 × 7Ah12V / External	8 × 7Ah12V / External	16 × 7Ah 12V / External	
	Charger Current(A)Max	1/5	1/5	1/5	1/6	
O T H E R	Communication Interface	RS232 (Dry contact, USB and SNMP adapter are optional)			RS232+USB+EPO (Dry contact, SNMP, MBS are optional)	
	Display	LCD display (LED is optional)			LCD & LED display	
	Alarm	Low battery, abnormal AC input, UPS failure				
	Protection	Low battery, overload, short-circuit and over temperature				
	Noise (dB)	< 45			< 60	
	Working Temperature	0 ~ 40℃				
	Relative Humidity	0 ~ 95%, No condensation				
	Dimension (W × D × H) mm	156 × 400 × 220	198 × 490 × 347		255 × 565 × 700/255 × 565 × 500	
	Standard/ Long backup Weight (kg)	13/6.5	25/14	29/15	69/23	70/24

◆ Specifications are subject to change without prior notice.